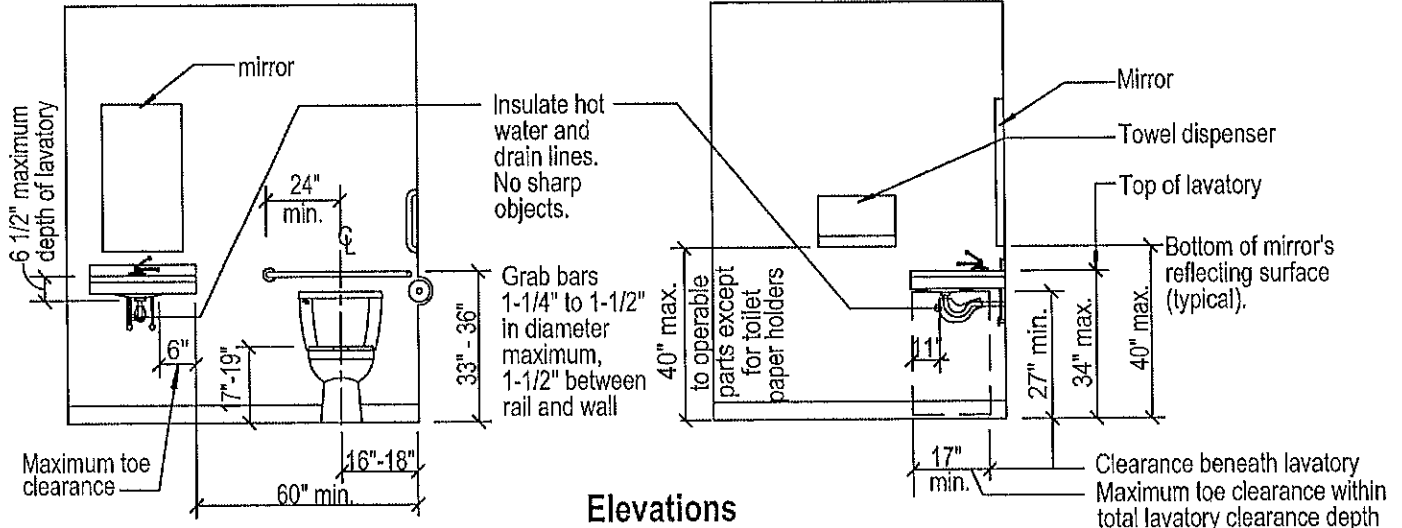
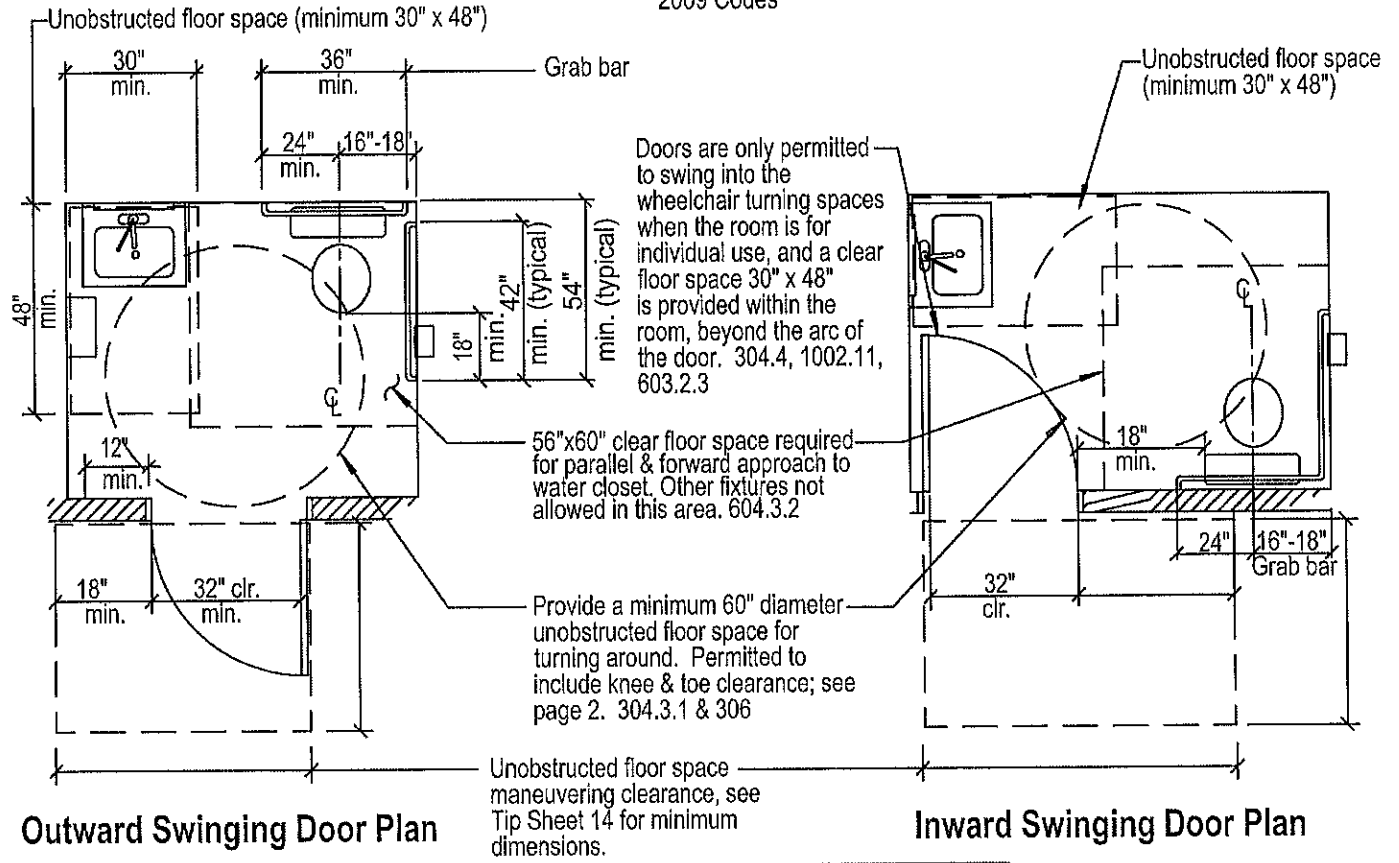


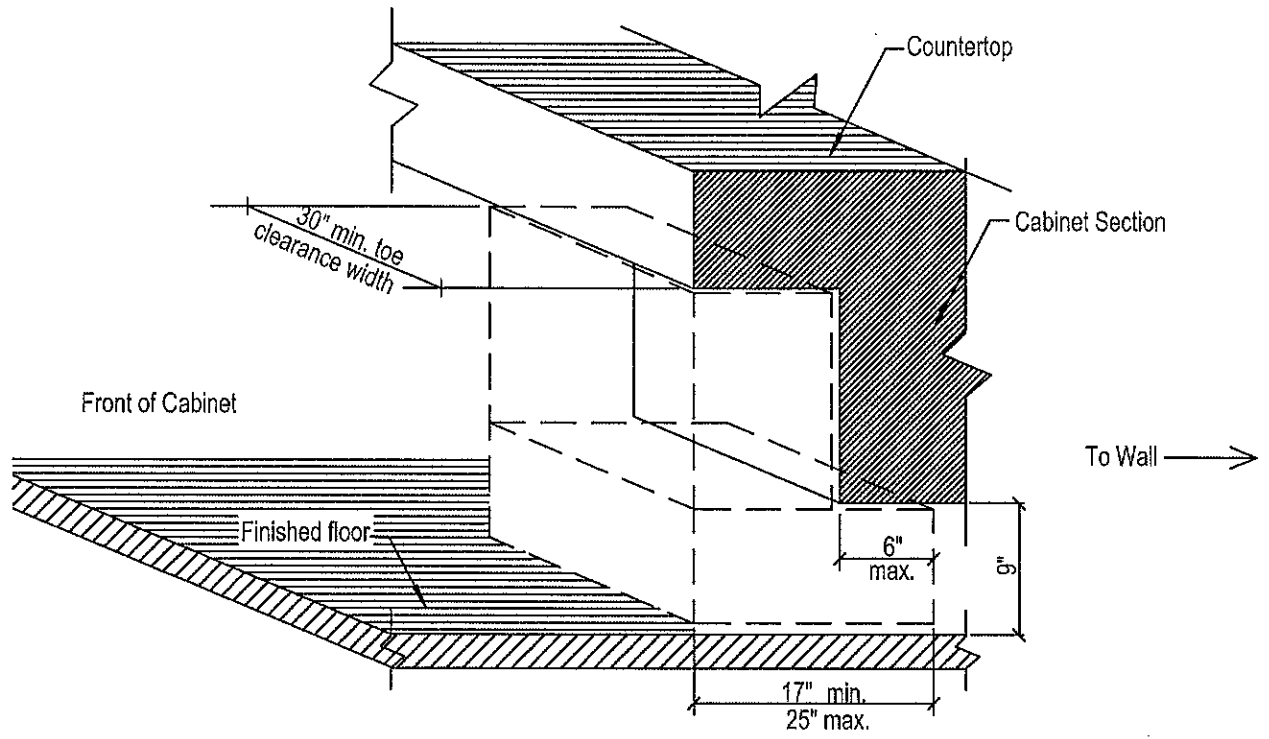
2009 Codes



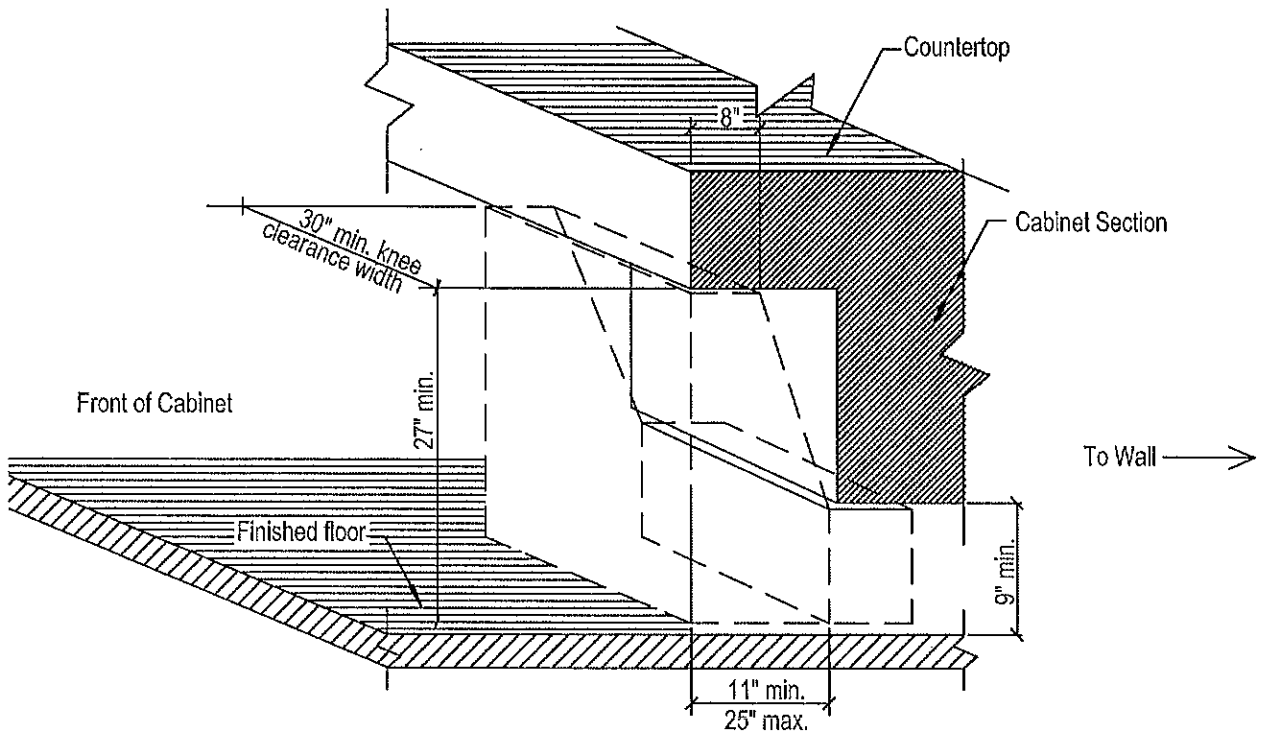
GENERAL INFORMATION:

For code requirements, refer to:

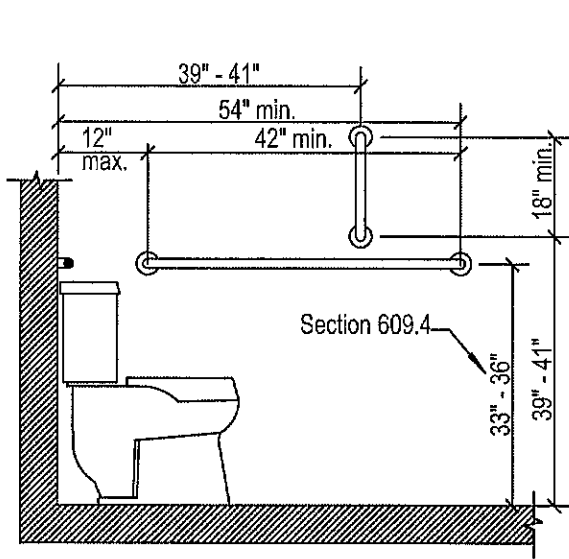
- Chapter 11 of the 2009 IBC
- Appendix Chapter E, Sections E101 - E107
- ICC / ANSI A117.1 - 2009 as amended in IBC 1101.2



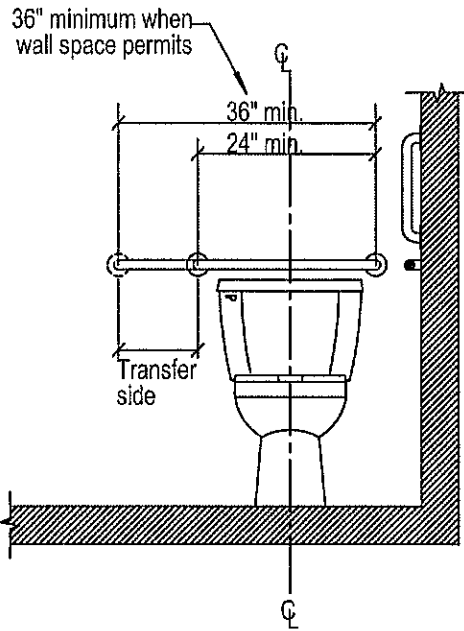
Toe Clearance



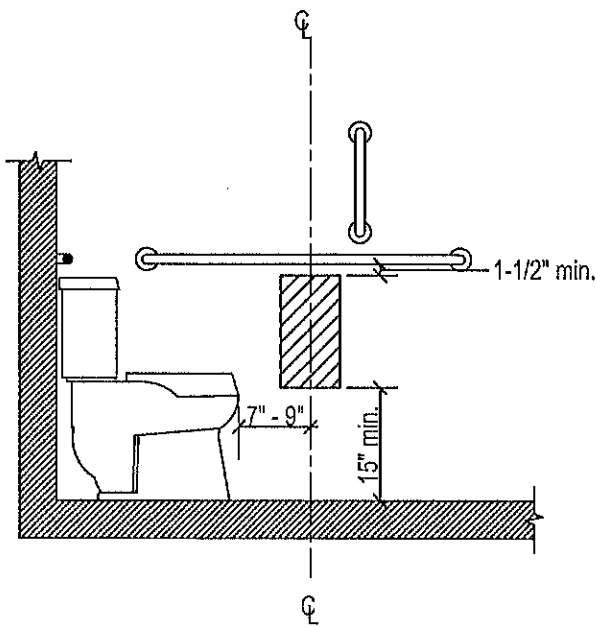
Knee Clearance



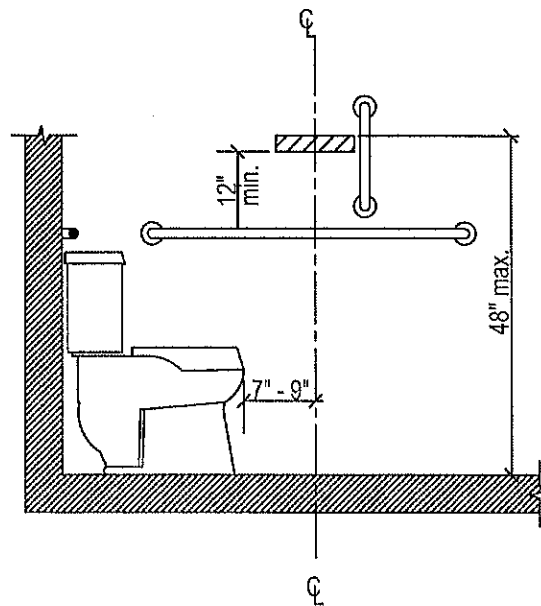
Side Wall Grab Bar
for Water Closet



Rear Wall Grab Bar
for Water Closet



Dispenser Location
Below Grab Bar



Dispenser Location
Above Grab Bar